

NIMBUS

Screen / Store Vertical

NIMBUS assembly options / Options de montage NIMBUS



NIMBUS SCREEN / STORE VERTICAL NIMBUS			
	Motor Moteur	Gear Inside Treuil Interne	Gear Outside Treuil Externe
Charge profile, Nimbus Screen / Profile barre de charge Nimbus	X - 107 mm	X - 120 mm	X - 100 mm
Ø10 Rod / Ø4 Rod-Rope Tringle Ø10 / Câble-Tringle Ø4	Y - 40 mm (to ceiling) / (plafond)	Y - 40 mm (to ceiling) / (plafond)	Y - 40 mm (to ceiling) / (plafond)
	Y - 100 mm (to wall) / (mur)	Y - 100 mm (to wall) / (mur)	Y - 100 mm (to wall) / (mur)
Ø78 ogive tube / Tube à gorge Ø78	X - 110 mm	X - 130 mm	X - 55 mm
Screen Fabric / Toile Screen	X - 115 mm	X - 135 mm	X - 105 mm
	Y + 200 mm	Y + 200 mm	Y + 200 mm
16x16 Steel Reinforcement Bar / Barre renfort acier 16x16	2 Kg/m	2 Kg/m	2 Kg/m



NIMBUS Screen with gear, wall-ceiling / Store Vertical NIMBUS treuil à mur-plafond



NIMBUS Screen with motor, wall-ceiling / Store Vertical NIMBUS moteur à mur-plafond



Gaviota Simbac

STORES ET VOILETS ROULANTS INTELLIGENTS

GAVIOTA SIMBAC, S.L.

Autovía Alicante A-31. Km. 196 · 03630 SAX (Alicante) ESPAÑA / SPAIN
 Tel. +34 965 474 200 · Fax +34 965 475 680
 International Dept.: +34 966 968 276 · Fax +34 966 968 075
 comercial@gaviotasimbac.com · export@gaviotasimbac.com
 www.gaviotasimbac.com

GAVIOTA SIMBAC, S.p.A.

Via del Commercio, 10 - 20882 BELLUSCO (MB) - ITALIA / ITALY
 Tel. (+39) 039 6077.1 / Fax (+39) 6077.500/588
 www.gaviotasimbac.com

For more information: / Pour plus d'information:



REF.: 6273-116 - GAVIOTA SIMBAC, S.L. - JUNE 2013 © COPYRIGHT RESERVED



NIMBUS

Screen / Store Vertical

Gaviota Simbac
 SMART AWNINGS AND ROLLING SHUTTERS

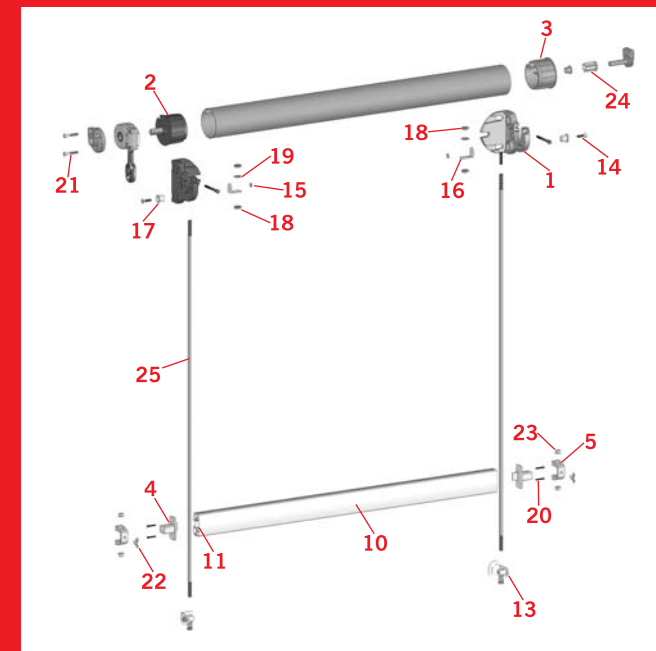
NIMBUS

Screen / Store Vertical

Vertical rolling up screen for the external side of large windows.
Officially approved for Class 2 at the standard version and for Class 1 at the box option.
Use range: maximum height and width of 5 m. Compatible with Ø78 tube, set of injection brackets, Ciclon gear and 50 series motor.
The guidance system (stainless steel rod, up to Ø10 mm) has a blockage device that can be height regulated in order to avoid any problem or damage with the fabric.
The rod lower fixing set has a tensor that avoids any rod/rope twisting at the tension moment (up to a Ø10 mm rod/rope can be fixed to the floor or to the wall).

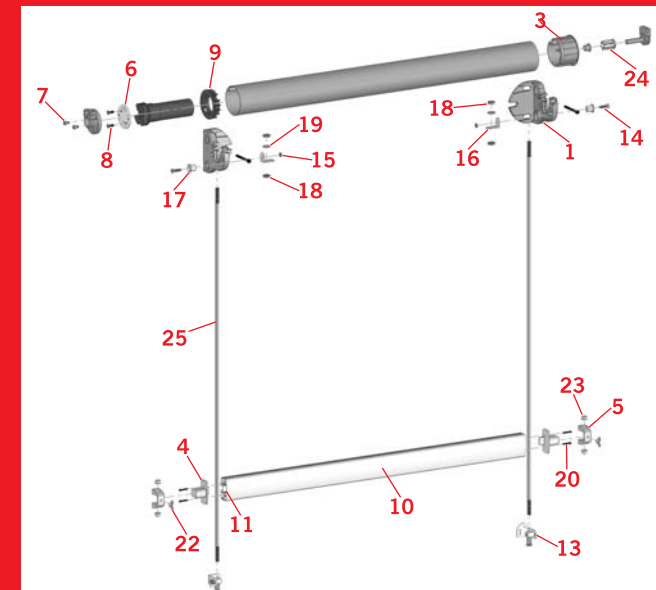
Store à guidage vertical pour placer à l'extérieur de fenêtres de grandes dimensions. Homologué en Classe 2 pour version sans coffre et en Classe 1 pour la gamme qui incorpore le coffre.
Rang d'utilisation: hauteur et largeur maximum de 5 m. Compatible avec axe Ø78, jeu de supports injection, treuil Ciclon et moteur série 50.
Le système de guidage (tringle de maximum Ø10 mm en acier inox), il incorpore un système de blocage en hauteur pour éviter possibles irrégularités ou dommages dans la toile.
Kit de fixation à l'intérieur composé de tendeur pour éviter que la tringle puisse se tordre au moment de tensionner la toile (on peut le fixer au sol ou au mur).

NIMBUS Screen Scheme for Ø10 mm rod, with gear Schéma Store Vertical NIMBUS avec tringle Ø10, à treuil



N°	DESCRIPTION	INCLUDED / INCLUS		UDS.
		GEAR KIT WHITE (8017-233) KIT TREUIL BLANC (8017-233)	MOTOR KIT WHITE (8017-231) KIT MOTORISATION BLANC (8017-231)	
1	SET OF BRACKETS WITH ROUND PIVOT, NIMBUS SCREEN, WHITE SUPPORT CÔTE OPPOSÉ A/TETON NIMBUS BLANC	✓	✓	1
2	DRIVING ROUND CAP OF 78 WITH SQUARE PIVOT OF 13X40, IN PLASTIC EMBOUT MÂLE CÔTE MANŒUVRE 78 S/C-13X40, EN PLASTIQUE	✓		1
3	ROUND CAP OF 78 WITH ROUND HOLE OF 14, IN PLASTIC EMBOUT FEMELLE CÔTE OPPOSÉ 78 R-14, EN PLASTIQUE	✓	✓	1
4	STOPPER FOR CHARGE PROFILE, Ø10 NIMBUS SCREEN, WHITE EMBOUT BARRE DE CHARGE Ø10 NIMBUS BLANC	✓	✓	2
5	FIXATION SUPPORT FOR CHARGE PROFILE STOPPER, NIMBUS SCREEN, WHITE SUPPORT FIXATION EMBOUT BARRE DE CHARGE NIMBUS BLANC	✓	✓	2
6	SCREEN NIMBUS MOTOR SUPPORT SUPPORT MOTEUR NIMBUS			1
7	M6X8 DIN-912 SST ALLEN SCREEN VIS ALLEN M6X8 DIN-912 INOX		✓	2
8	M6X16 DIN-965 SST PHILLIPS HAZELNUT SCREW VIS A TÊTE FRAISÉE PHILLIPS M6X16 DIN-965 INOX		✓	2
12	RITS SCREEN MAT, 5M JOINT BROUSSE SCREEN RITS L=5 MTS	✓	✓	1
13	LOWER FIXING SET, Ø10 NIMBUS SCREEN KIT SUPPORT FIXATION INFÉRIEUR Ø10 NIMBUS	✓	✓	2
14	M6X30 DIN-7991 SST SCREW VIS M6X30 DIN-7991 INOX			
15	M6 DIN-439 SST HEXAGONAL NUT ECROU HEXAG M6 DIN-439 INOX			
16	STAINLESS STEEL UPPER FIXING SET, NIMBUS SCREEN SUPPORT FIXATION SUPÉRIEUR SC, NIMBUS INOX	✓	✓	2
17	STAINLESS STEEL BOLT FOR UPPER FIXING SET, NIMBUS SCREEN BOULON FIXATION SUPÉRIEUR SC, NIMBUS INOX			
18	M10 DIN-439 SST HEXAGONAL NUT ECROU HEXAG. M10 DIN-439 INOX			
19	M10 DIN-125 SST WASHER RONDELLE M10 DIN-125 INOX			
20	Ø3,5X32 DIN-7982 SST SCREW VIS Ø3,5X32 DIN-7982 INOX			4
21	M6X40 DIN-912 SST ALLEN SCREW VIS ALLEN M6X40 DIN-912 INOX			2
22	M6X10 KTSW-28M06M10 BUTTERFLY HANDLE POIGNÉE PAPILLON M6X10 KTSW-28M06M10	✓	✓	2
23	FIXATION SUPPORT CAP, Ø10 NIMBUS SCREEN EMBOUT SUPPORT FIXATION Ø10 NIMBUS			4
24	Ø12X25X30 COMPENSATION CAP, NIMBUS SCREEN EMBOUT DE COMPENSATION Ø12X25X30 NIMBUS			1

NIMBUS Screen Scheme for Ø10 mm rod, with motor Schéma Store Vertical NIMBUS avec tringle Ø10, motorisé



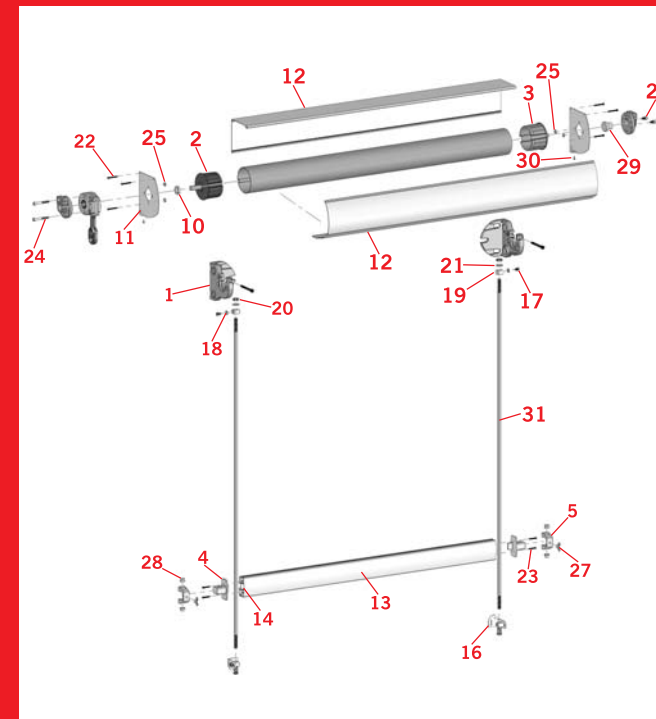
N°	DESCRIPTION	CODE	UDS.
9	PULLEY AND ADAPTOR FOR 78 OGIVE, 50 SERIES POULIE ET ADAPTEUR À GORGE 78 S. 50	6007-15*	1
10	CHARGE PROFILE IN METERS, NIMBUS SCREEN, 7M, WHITE MTS. PROFIL BARRE DE CHARGE NIMBUS BLANC 7M	8017-225	1
11	16X16 REINFORCEMENT BAR IN METERS, NIMBUS SCREEN, 3M, ZINC COATED MTS. BARRE RENFORT 16X16 NIMBUS ZINGUÉE 3M	8017-228	2 Kg/m
25	Ø10MM ROD SST 304, 6M TRINGLE Ø10MM INOX 304, 6M	8017-306	1

*Only motor option / Seulement option moteur

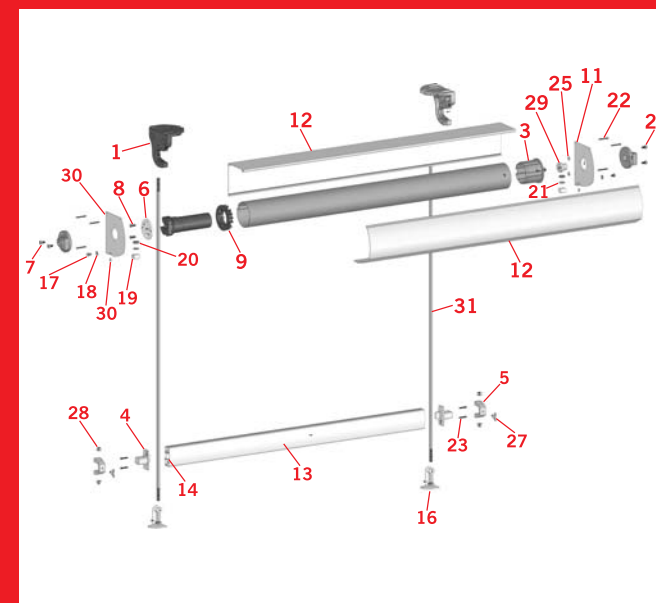
Gaviota Simbac
SMART AWNINGS AND ROLLING SHUTTERS

NIMBUS
Screen / Store Vertical

NIMBUS Box Screen Scheme, with gear Schéma Coffre Store Vertical NIMBUS à treuil



NIMBUS Box Screen Scheme, with motor Schéma Coffre Store Vertical NIMBUS motorisé



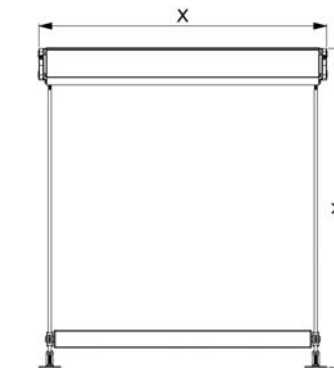
N°	DESCRIPTION	INCLUDED / INCLUS		UDS.
		GEAR KIT WHITE (8017-256) KIT TREUIL BLANC (8017-256)	MOTOR KIT WHITE (8017-254) KIT MOTORISATION BLANC (8017-254)	
1	SET OF BRACKETS WITH DOUBLE ROUND PIVOT, NIMBUS SCREEN, WHITE JEU SUPPORTS DOUBLE CASSETTE SC, NIMBUS BLANC	✓	✓	1
2	DRIVING ROUND CAP OF 78 WITH SQUARE PIVOT OF 13X40, IN PLASTIC EMBOUT MÂLE CÔTE MANŒUVRE 78 S/C-13X40, EN PLASTIQUE	✓		1
3	ROUND CAP OF 78 WITH ROUND PIVOT OF 12X20, IN PLASTIC EMBOUT MÂLE CÔTE OPPOSÉ 78 S/R-12X20, EN PLASTIQUE	✓	✓	1
4	STOPPER FOR CHARGE PROFILE, Ø10 NIMBUS SCREEN, WHITE EMBOUT BARRE DE CHARGE Ø10 SC, NIMBUS BLANC	✓	✓	2
5	FIXATION SUPPORT FOR CHARGE PROFILE STOPPER, NIMBUS SCREEN, WHITE SUPPORT FIXATION EMBOUT BARRE DE CHARGE NIMBUS BLANC	✓	✓	2
6	SCREEN NIMBUS MOTOR SUPPORT SUPPORT MOTEUR NIMBUS			1
7	M6X8 DIN-912 SST ALLEN SCREW VIS ALLEN M6X8 DIN-912 INOX		✓	2
8	M6X16 DIN-965 SST PHILLIPS HAZELNUT SCREW VIS A TÊTE FRAISÉE PHILLIPS M6X16 DIN-965 INOX		✓	2
10	COMPENSATION RING Q13 1415, UNIVERSAL ZIP SCREEN ANNEAU FIXATION Q13 1415 SC, UNIV. ZIP	✓		1
11	LATERAL SET OF CAPS, NIMBUS BOX SCREEN, WHITE JEU D'EMBOUTS LATÉRAUX COFFRE NIMBUS BLANC	✓	✓	1
15	RITS SCREEN MAT, 5M JOINT BROUSSE SCREEN RITS L=5 MTS	✓	✓	1
16	LOWER FIXING SET, Ø10 NIMBUS SCREEN KIT SUPPORT FIXATION INFÉRIEUR Ø10 SC NIMBUS	✓	✓	2
17	M6X8 DIN-7984 SST ALLEN SCREW VIS ALLEN M6X8 DIN-7984 INOX			2
18	M6 DIN-125 SST WASHER RONDELLE M6 DIN-125 INOX			2
19	STAINLESS STEEL BOLT FOR LOWER FIXING SET, Ø10 NIMBUS SCREEN BOULON SUPPORT FIXATION INFÉRIEUR Ø10 SC, NIMBUS INOX			2
20	M10 DIN-439 SST HEXAGONAL NUT ECROU HEXAG. M10 DIN-439 INOX			2
21	M10 DIN-125 SST WASHER RONDELLE M10 DIN-125 INOX			2
22	Ø3,5X32 DIN-7981 SST SCREW VIS Ø3,5X32 DIN-7981 INOX			6
23	Ø3,5X32 DIN-7982 SST SCREW VIS Ø3,5X32 DIN-7982 INOX	✓	✓	4
24	M6X45 DIN-912 SST ALLEN SCREW VIS ALLEN M6X45 DIN-912 INOX		✓	2
25	M6 DIN-439 SST HEXAGONAL NUT ECROU HEXAG. M6 DIN-439 INOX			4
26	M6X10 DIN-912 SST ALLEN SCREW VIS ALLEN M6X10 DIN-912 INOX			2
27	M6X10 KTSW-28M06M10 BUTTERFLY HANDLE POIGNÉE PAPILLON M6X10 KTSW-28M06M10			2
28	FIXATION SUPPORT CAP, Ø10 NIMBUS SCREEN EMBOUT SUPPORT FIXATION Ø10 NIMBUS			4
29	Ø12 COMPENSATION CAP, NIMBUS BOX SCREEN EMBOUT DE COMPENSATION COFFRE Ø12 NIMBUS			1
30	Ø3,5X6,5 DIN-7981 SST SCREW VIS Ø3,5X6,5 DIN-7981 INOX			2

N°	DESCRIPTION	CODE	UDS.
9	PULLEY AND ADAPTOR FOR 78 OGIVE, 50 SERIES POULIE ET ADAPTEUR À GORGE 78 S. 50	6007-15*	1
12	BOX PROFILE IN METERS, NIMBUS BOX SCREEN, 7M, WHITE MTS. PROFIL COFFRE NIMBUS BLANC 7M	8017-253	1
13	CHARGE PROFILE IN METERS, NIMBUS SCREEN, 7M, WHITE POULIE ET ADAPTEUR À GORGE 78 S. 50	8017-225	2 Kg/m
14	16 X 16 REINFORCEMENT BAR IN METERS, NIMBUS SCREEN, 3M, ZINC COATED MTS. BARRE RENFORT 16X16 SC, NIMBUS ZINGUÉE 3M	8017-228	1
31	Ø10MM ROD SST 304, 6M TRINGLE Ø10MM INOX 304, 6M	8017-306	1

*Only motor option / Seulement option moteur

NIMBUS assembly options / Options de montage NIMBUS

NIMBUS BOX SCREEN / STORE VERTICAL NIMBUS AVEC COFFRE		
	Motor Moteur	Gear Inside Treuil Interne
Profiles, Nimbos Box Screen / Profil Coffre Nimbos	X - 60 mm	X - 94 mm
Charge Profile, Nimbos Screen / Profil barre de charge Nimbos	X - 117 mm	X - 152 mm
Ø10 Rod Tringle Ø10	Y - 140 mm (to ceiling) / (plafond)	Y - 140 mm (to ceiling) / (plafond)
Ø78 ogive tube / Tube à gorge Ø78	X - 97 mm	X - 122 mm
Screen Fabric / Toile Screen	X - 120 mm Y + 200 mm	X - 155 mm Y + 200 mm
16x16 Steel Reinforcement Bar / Barre renfort acier 16x16	2 Kg/m	2 Kg/m



NIMBUS Box Screen with gear, wall-ceiling / Coffre Store Vertical NIMBUS treuil à mur-plafond



NIMBUS Box Screen with motor, wall-ceiling / Coffre Store Vertical NIMBUS moteur à mur-plafond

