

Gaviota Simbac
STORES ET VOILETS ROULANTS INTELLIGENTS

GAVIOTA SIMBAC, S.L.

Autovía Alicante A-31. Km. 196 • 03630 SAX (Alicante) ESPAÑA / SPAIN
Tel. +34 965 474 200 • Fax +34 965 475 680
International Dept.: +34 966 968 276 • Fax +34 966 968 075
comercial@gaviotasimbac.com • export@gaviotasimbac.com
www.gaviotasimbac.com

GAVIOTA SIMBAC, S.p.A.

Via del Commercio, 10 - 20882 BELLUSCO (MB) - ITALIA / ITALY
Tel. (+39) 039 6077.1 / Fax (+39) 6077.500/588
www.gaviotasimbac.com

For more information: / Pour plus d'information:



REF.: 6273-119 - GAVIOTA SIMBAC, S.L. - JULY 2013 © COPYRIGHT RESERVED



UNIVERSAL ZIP

Screen / Store Vertical

Gaviota Simbac
SMART AWNINGS AND ROLLING SHUTTERS

UNIVERSAL ZIP

Screen / Store Vertical

Vertical rolling up screen with zip for the external side of windows. Officially approved for Class 3.

Use range: maximum height and width of 3,5 x 4 m with Ø70 tube and 2,7 x 4 m with Ø78 tube.

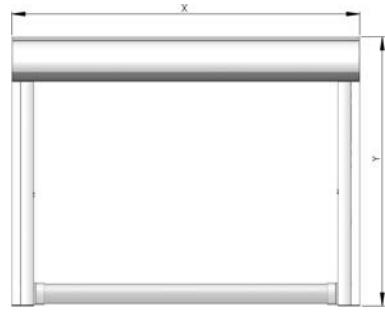
Versatile and high resistance materials. Aluminum end caps and extruded plastic profile (PVC).

Store à descente verticale avec guide de la toile à système de fermeture-éclair pour placer à l'extérieur des fenêtres, homologué en Classe 3.

Rang d'utilisation: hauteur et largeur maximum de 3,5 x 4 m avec axe Ø70 et 2,7 x 4 m avec axe Ø78.

Matériaux de haute résistance et versatilité. Consoles en aluminium et profil en plastique extrudé (PVC).

Cutting adjustments list for the UNIVERSAL ZIP Screen assembly / Tableau de coupe à mesure pour montage du Store Vertical UNIVERSAL ZIP



Description	Cutting Adjustment / Coupe
BOX PROFILE / PROFIL CAISSON	X - 30 mm
FRONTAL PROFILE / PROFIL BOÎTIER	X - 5 (+0/-0,5) mm
FRONTAL GUIDE PROFILE / PROFIL COULISSE ANTÉRIEUR	Y - 103 mm
REAR GUIDE PROFILE / PROFIL COULISSE POSTÉRIEUR	Y - 103 mm
CHARGE PROFILE / PROFIL BARRE DE CHARGE	X - 123 (±0,5) mm
CLOSING PROFILE, PVC FABRIC / PROFIL FERMETURE TOILE PVC	Y - 115 (+0/-1) mm
Ø 78-70 OGIVE TUBE / TUBE À GORGE Ø 78-70	X - 115
SCREEN FABRIC WITH ZIP / TOILE SCREEN À FERMETURE-ÉCLAIR	X - 73 mm / Y + 300 mm
Ø 22 STEEL REINFORCEMENT BAR / BARRE RENFORT ACIER Ø 22	MOTOR / MOTEUR: 3 Kg/m GEAR / TREUIL: 1 Kg/m
10 x 4 mm SELF-ADHESIVE NEOPRENE / NEOPRENE AUTOCOLLANT 10 x 4 mm	2 pieces per every / 2 pièces chaque 40 cm

Range of Use / Rang d'utilisation

Tube	Width	Height
Tube	Largeur	Hauteur
Ø 70	4000	3500
Ø 78	4000	2700

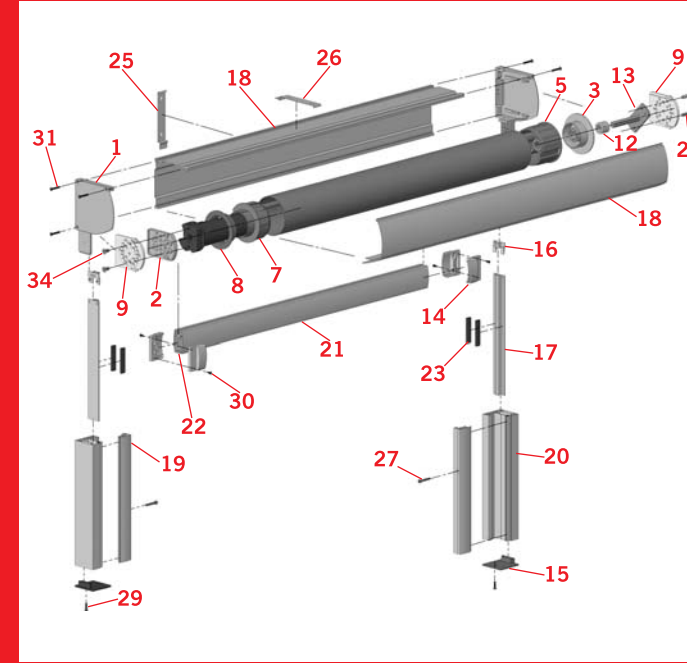
Gaviota Simbac
SMART AWNINGS AND ROLLING SHUTTERS

✓ = INCLUDED / INCLUS
A = Ø70 MOTORIZATION SET, WHITE (8017-209) / KIT MOTORISATION Ø70 BLANC (8017-209)
B = Ø78 MOTORIZATION SET, WHITE (8017-207) / KIT MOTORISATION Ø78 BLANC (8017-207)
C = Ø70 GEAR SET, WHITE (8017-213) / KIT TREUIL Ø70 BLANC (8017-213)
D = Ø78 GEAR SET, WHITE (8017-211) / KIT TREUIL Ø78 BLANC (8017-211)

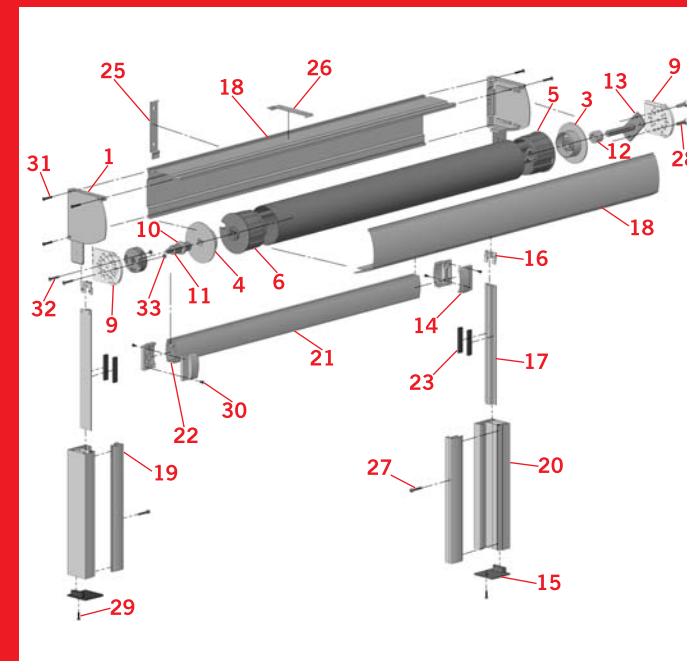
UDS.

N°	DESCRIPTION	A	B	C	D	1
1	SET OF CAPS UNIVERSAL ZIP SCREEN, WHITE JEU CONSOLES SCREEN UNIVERSAL ZIP BLANC	✓	✓	✓	✓	1
2a	MOTOR SUPPORT (COMPATIBLE GAVIOTA SIMBAC-SIMU), UNIVERSAL ZIP SCREEN SUPPORT MOTEUR COMP. GAVIOTA SIMBAC-SIMU SCREEN UNIVERSAL ZIP	✓	✓			1
2b	MOTOR SUPPORT (COMPATIBLE SOMFY?), UNIVERSAL ZIP SCREEN SUPPORT MOTEUR COMP. SOMFY SCREEN UNIVERSAL ZIP	✓	✓			1
3	Ø12 FIXATION RING, UNIVERSAL ZIP SCREEN ANNEAU FIXATION SCREEN UNIVERSAL ZIP Ø12	✓	✓	✓	✓	1
4	Ø13 FIXATION RING, UNIVERSAL ZIP SCREEN ANNEAU FIXATION SCREEN UNIVERSAL ZIP Ø13			✓	✓	1
5a	ROUND CAP OF 78 WITH ROUND HOLE OF 14, IN PLASTIC EMBOU FEMELLE 78 CÔTE OPPOSE R-14		✓		✓	1
5b	ROUND CAP OF 70 WITH ROUND HOLE OF 14, IN PLASTIC EMBOU FEMELLE 70 CÔTE OPPOSE R-14	✓		✓		1
6a	DRIVING ROUND CAP OF 78 WITH SQUARE HOLE OF 13, IN PLASTIC EMBOU FEMELLE 78 CÔTE MANOEUVRE C-13				✓	1
6b	DRIVING ROUND CAP OF 70 WITH SQUARE HOLE OF 13, IN PLASTIC EMBOU FEMELLE 70 CÔTE MANOEUVRE C-13			✓		1
7a	ADAPTOR CAP FOR PULLEY, 78 TUBE EMBOU ADAPTEUR POULIE TUBE 78		✓			1
7b	ADAPTOR CAP FOR PULLEY, 70 TUBE EMBOU ADAPTEUR POULIE TUBE 70	✓				1
8	FIXATION RING ANNEAU FIXATION	✓	✓			1
9	INSIDE BRACKET WITHOUT PIVOT, UNIVERSAL SCREEN SUPPORT INTERIEUR SCREEN UNIVERSAL S/T	✓	✓	✓	✓	2
10	COMPESATION RING Q13 1415, UNIVERSAL ZIP SCREEN ANNEAU COMP. Q13 1415 SCREEN UNIVERSAL ZIP			✓	✓	1
11	C-13X7 METALLIC INSERTION, UNIVERSAL ZIP SCREEN INSERT METALLIQUE C-13X7 SCREEN UNIVERSAL ZIP			✓	✓	1
12	Ø12x22x18 COMPENSATION CAP, UNIVERSAL ZIP SCREEN EMBOU COMP. Ø12x22x18, SCREEN UNIVERSAL ZIP	✓	✓	✓	✓	1
13	4 MM C/E-12 L=75 MM CASSETTE, ZINC COATED PLETINE 4 MM C/E-12 L= 75 MM ZINGUE	✓	✓	✓	✓	1
14	STOPPER FOR CHARGE PROFILE, WHITE BUTEE BARRE DE CHARGE BLANC	✓	✓	✓	✓	4
15	SET OF CAPS FOR GUIDE, UNIVERSAL ZIP SCREEN JEU EMBOU COULISSE SCREEN UNIVERSAL ZIP	✓	✓	✓	✓	1
16	ENTRY GUIDE EMBOU	✓	✓	✓	✓	2
23	10X4 MM SELF-ADHESIVE NEOPRENE NEOPRENE AUTOCOLLANT 10X4 MM	✓	✓	✓	✓	2 pcs / 40 cm
24	5M CUTTED MAT JOINT BROUSSE COUPE À 5M	✓	✓	✓	✓	2
25	100 PROFILE FIXATION SUPPORT FOR WALL 100 PROFIL FIXATION SUPPORT A MUR	✓	✓	✓	✓	7,5 Kg / pz
26	100 PROFILE FIXATION SUPPORT FOR CEILING 100 PROFIL FIXATION SUPPORT A PLAFOND	✓	✓	✓	✓	7,5 Kg / pz
27	M4X25 DIN-912 SST ALLEN SCREW VIS ALLEN M4X25 DIN-912 INOX					10
28	M6X10 DIN-7991 SST SCREW VIS M6X10 DIN-7991 INOX					2
29	Ø3,5X16 DIN-7982 SST SCREW VIS Ø3,5X16 DIN-7982 INOX					2
30	Ø2,9X9,5 DIN-7981 SST SCREW VIS Ø2,9X9,5 DIN-7981 INOX					4
31	Ø3,5X32 DIN-7982 SST SCREW VIS Ø3,5X32 DIN-7982 INOX	✓	✓	✓	✓	6
32	M4X25 DIN-965 SST PHILLIPS HAZELNUT SCREW VIS A TETE FRAISEE PHILLIPS M4X25 DIN-965 INOX					2
33	M-4 DIN-934 SST HEXAGONAL NUT ECROU HEXAG M-4 DIN-934 INOX					2
34	M6X25 DIN-965 SST PHILLIPS HAZELNUT SCREW VIS A TETE FRAISEE PHILLIPS M6X25 DIN-965 ZINGUE					2

UNIVERSAL ZIP Screen with motor Schéma Store Vertical UNIVERSAL ZIP motorisé



UNIVERSAL ZIP Screen with gear Schéma Store Vertical UNIVERSAL ZIP avec treuil à vis



N°	DESCRIPTION	CODE	UDS.
17	CLOSING PROFILE IN METERS, PVC FABRIC, 5M MTS. PROFIL FERME TOILE PVC 5M	8017-020	2
18	SET OF BOX PROFILES IN METERS 100, 7M, WHITE JEU PROFILS COFFRE 100, 7M, BLANC	8017-102	1
19	FRONTAL GUIDE PROFILE IN METERS, 7M, WHITE MTS. COULISSE ANTERIEURE BLANC, 7M	8017-030	2
20	REAR GUIDE PROFILE IN METERS, UNIVERSAL ZIP SCREEN, WHITE 7M MTS. PROFIL COULISSE POSTERIEURE BLANC 7M, SCREEN UNIVERSAL ZIP	8017-202	2
21	CHARGE PROFILE IN METERS, 7M, WHITE MTS. PROFIL BARRE DE CHARGE BLANC, 7M	8017-038	1
22a	Ø22 STEEL REINFORCEMENT BAR, 4M BARRE RENFORT ACIER Ø22 - 4M	8017-055	3 Kg / m
22b	Ø12 STEEL REINFORCEMENT BAR, 4M BARRE RENFORT ACIER Ø12 - 4M	8017-118	1 Kg / m
35	DOUBLE ZIP ROLL 50M CHARNIERE DOUBLE 50M	8017-53	2

UNIVERSAL ZIP SCREEN GEAR ABACUS ABAQUE TREUIL SCREEN UNIVERSAL ZIP

L	1,00	1,50	2,00	2,50	3,00	3,20	3,50	4,00	m
TUBO / RULLO Ø 70	R1/1,5	R1/2,8	R1/5	R1/5	R1/5	R1/5	R1/5	R1/5	3,50
	R1/1,5	R1/2,8	R1/2,8	R1/5	R1/5	R1/5	R1/5	R1/5	3,00
	R1/1,5	R1/2,8	R1/2,8	R1/5	R1/5	R1/5	R1/5	R1/5	2,50
	R1/1,5	R1/2,8	R1/2,8	R1/5	R1/5	R1/5	R1/5	R1/5	2,00
	R1/1,5	R1/2,8	R1/2,8	R1/5	R1/5	R1/5	R1/5	R1/5	1,50
	R1/1,5	R1/1,5	R1/2,8	R1/2,8	R1/5	R1/5	R1/5	R1/5	1,00
TUBO / RULLO Ø 78	R1/1,5	R1/2,8	R1/5	R1/5	R1/5	R1/5	R1/5	R1/5	2,70
	R1/1,5	R1/2,8	R1/5	R1/5	R1/5	R1/5	R1/5	R1/5	2,50
	R1/1,5	R1/2,8	R1/2,8	R1/5	R1/5	R1/5	R1/5	R1/5	2,00
	R1/1,5	R1/2,8	R1/2,8	R1/5	R1/5	R1/5	R1/5	R1/5	1,50
	R1/1,5	R1/2,8	R1/2,8	R1/5	R1/5	R1/5	R1/5	R1/5	1,00

* Small ratio to be used
* Relation transmission minimale applicable

* In order to use the gear at the Universal Zip Screen, a Ø12 Steel Reinforcement Bar of 1 Kg/m should be placed at the Charge Profile.

* Pour utiliser le Mécanisme de Treuil à vis dans le Store Vertical Universal Zip, on doit introduire une Barre de Renfort en Acier Ø12 de 1 Kg/m dans le profil Barre de Charge.

Gear Treuil	End Stroke Fin de Course	Code	Gear Range Relation	Ø Tube (mm.)
1415 - Ø48 EX7/Q7	Without ES SFC	7010-358	1/1,5	70
		7010-362	1/2,8	78
	Without ES AFC	7010-369	1/2,8	70
		7010-369	1/2,8	78
1421 EX7/Q7	With ES CFC	7010-332	1/5	70
	Without ES SFC	7010-336		78

* Gaviota Simbac recommends to use Gear with End Stroke.
* On recommande seulement l'utilisation du Treuil à vis avec Fin de Course.
List of Gears to be used with the Universal Zip Screen:
Liste de treuils à vis compatibles avec le Store Vertical Universal Zip:
7010-358 GEAR / TREUIL 1415-48 R=1,5:1 EX7/Q7 Without ES / SFC
7010-362 GEAR / TREUIL 1415-48 R=2,8:1 EX7/Q7 Without ES / SFC
7010-369 GEAR / TREUIL 1415-58 R=2,8:1 EX7/Q7 Without ES / SFC
7010-332 GEAR / TREUIL 1421 R=5:1 EX7/Q7 CFC With ES / AFC
7010-336 GEAR / TREUIL 1421 R=5:1 EX7/Q7 SFC Without ES / SFC

Joint to be used with the Universal Screen: Joint Tube Hex-7 (7010-414)
Tube de liaison à utiliser avec le Store Universal: Hex-7 (7010-414)